

SPEC® CPU2017 Floating Point Speed Result

Copyright 2017-2018 Standard Performance Evaluation Corporation

My Corporation

SPECspeed2017_fp_base = 2.15

SPECspeed2017_fp_peak = Not Run

CPU2017 License: nnn (Your SPEC license number)

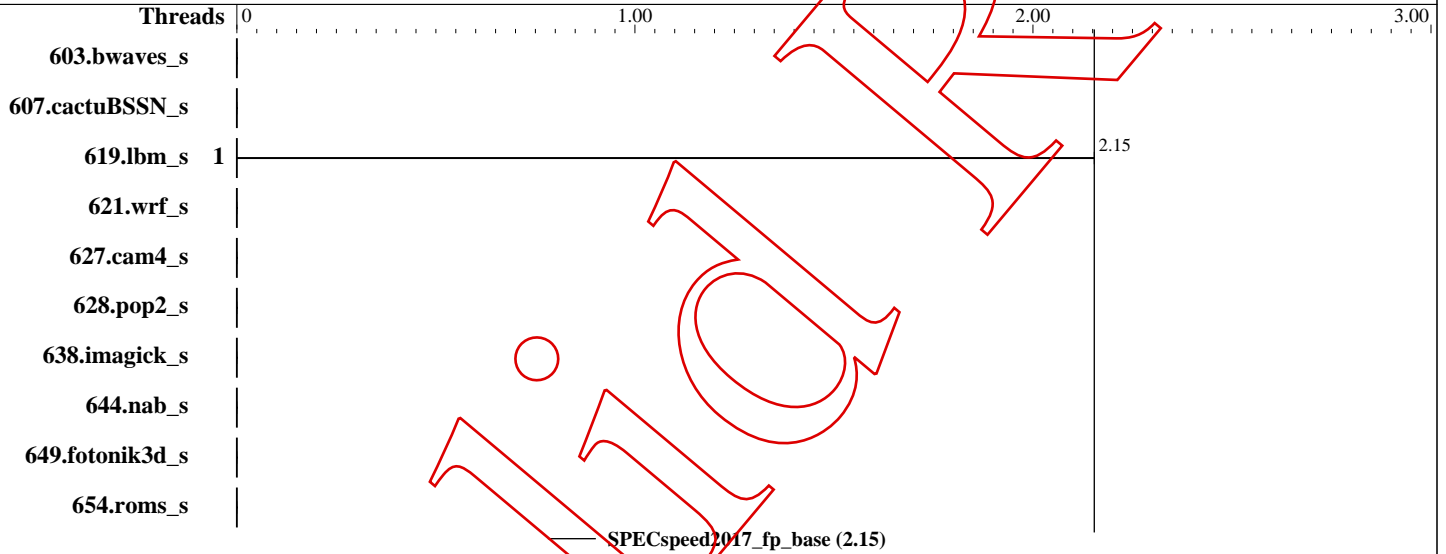
Test Sponsor: My Corporation

Tested by: My Corporation

Test Date: Dec-2018

Hardware Availability:

Software Availability:



Hardware

CPU Name: Intel Core (Haswell, no TSX)
Max MHz.:
Nominal:
Enabled: cores, 22 chips, threads/core
Orderable:
Cache L1:
L2:
L3:
Other:
Memory: 98.349 GB fixme: If using DDR3, format is:
'N GB (M x N GB nRxn PCn-nnnnnR-n, ECC)'
Storage: 196 GB add more disk info here
Other:

Software

OS: Linux Mint 19 Tara
4.15.0-20-generic
Compiler: C/C++/Fortran: Version 6.2.0 of GCC, the
GNU Compiler Collection
Parallel: Yes
Firmware:
File System: ext4
System State: Run level 5 (add definition here)
Base Pointers: 64-bit
Peak Pointers: Not Applicable
Other:

Errors

'reportable' flag not set during run
628.pop2_s (base) did not have enough runs!
627.cam4_s (base) did not have enough runs!
619.lbm_s (base) did not have enough runs!
644.nab_s (base) did not have enough runs!
638.imagick_s (base) did not have enough runs!
654.roms_s (base) did not have enough runs!
621.wrf_s (base) did not have enough runs!
649.fotonik3d_s (base) did not have enough runs!
603.bwaves_s (base) did not have enough runs!
607.cactuBSSN_s (base) did not have enough runs!

(Continued on next page)

SPEC CPU2017 Floating Point Speed Result

Copyright 2017-2018 Standard Performance Evaluation Corporation

My Corporation

SPECSpeed2017_fp_base = 2.15

SPECSpeed2017_fp_peak = Not Run

CPU2017 License: nnn (Your SPEC license number)

Test Sponsor: My Corporation

Tested by: My Corporation

Test Date: Dec-2018

Hardware Availability:

Software Availability:

Errors (Continued)

628.pop2_s (base) had invalid runs!
 627.cam4_s (base) had invalid runs!
 644.nab_s (base) had invalid runs!
 638.imagick_s (base) had invalid runs!
 654.roms_s (base) had invalid runs!
 621.wrf_s (base) had invalid runs!
 649.fotonik3d_s (base) had invalid runs!
 603.bwaves_s (base) had invalid runs!
 607.cactuBSSN_s (base) had invalid runs!
 Run of 603.bwaves_s (base) was not valid; status is CE
 Run of 607.cactuBSSN_s (base) was not valid; status is CE
 Run of 621.wrf_s (base) was not valid; status is CE
 Run of 627.cam4_s (base) was not valid; status is CE
 Run of 628.pop2_s (base) was not valid; status is CE
 Run of 638.imagick_s (base) was not valid; status is CE
 Run of 644.nab_s (base) was not valid; status is CE
 Run of 649.fotonik3d_s (base) was not valid; status is CE
 Run of 654.roms_s (base) was not valid; status is CE
 Unknown flags were used! See
<https://www.spec.org/cpu2017/Docs/runcpu.html#flagsurl>
 for information about how to get rid of this error.

Results Table

Benchmark	Threads	Base				Peak							
		Seconds	Ratio	Seconds	Ratio	Seconds	Ratio	Seconds	Ratio				
603.bwaves_s	1	0.00	0.00										
607.cactuBSSN_s	1	0.00	0.00										
619.lbm_s	1	<u>2432</u>	<u>2.15</u>										
621.wrf_s	1	0.00	0.00										
627.cam4_s	1	0.00	0.00										
628.pop2_s	1	0.00	0.00										
638.imagick_s	1	0.00	0.00										
644.nab_s	1	0.00	0.00										
649.fotonik3d_s	1	0.00	0.00										
654.roms_s	1	0.00	0.00										

SPECSpeed2017_fp_base = 2.15

SPECSpeed2017_fp_peak = Not Run

Results appear in the order in which they were run. Bold underlined text indicates a median measurement.

SPEC CPU2017 Floating Point Speed Result

Copyright 2017-2018 Standard Performance Evaluation Corporation

My Corporation

SPECspeed2017_fp_base = 2.15

SPECspeed2017_fp_peak = Not Run

CPU2017 License: nnn (Your SPEC license number)

Test Sponsor: My Corporation

Tested by: My Corporation

Test Date: Dec-2018

Hardware Availability:

Software Availability:

General Notes

Environment variables set by runcpu before the start of the run:
LD_LIBRARY_PATH = "/usr/lib64/:/usr/lib/:/lib64"
OMP_STACKSIZE = "120M"

Platform Notes

Sysinfo program /home/zet/code/cpu2017/bin/sysinfo
Rev: r5797 of 2017-06-14 96c45e4568ad54c135fd618bcc091c0f
running on zet-build2 Fri Dec 14 05:42:42 2018

SUT (System Under Test) info as seen by some common utilities.
For more information on this section, see
<https://www.spec.org/cpu2017/Docs/config.html#sysinfo>

From /proc/cpuinfo

```
model name : Intel Core Processor (Haswell, no TSX)
 22 "physical id"s (chips)
 22 "processors"
cores, siblings (Caution: counting these is hw and system dependent. The following
excerpts from /proc/cpuinfo might not be reliable. Use with caution.)
cpu cores : 1
siblings : 1
physical 0: cores 0
physical 1: cores 0
physical 2: cores 0
physical 3: cores 0
physical 4: cores 0
physical 5: cores 0
physical 6: cores 0
physical 7: cores 0
physical 8: cores 0
physical 9: cores 0
physical 10: cores 0
physical 11: cores 0
physical 12: cores 0
physical 13: cores 0
physical 14: cores 0
physical 15: cores 0
physical 16: cores 0
physical 17: cores 0
physical 18: cores 0
physical 19: cores 0
physical 20: cores 0
physical 21: cores 0
```

(Continued on next page)

SPEC CPU2017 Floating Point Speed Result

Copyright 2017-2018 Standard Performance Evaluation Corporation

My Corporation

SPECspeed2017_fp_base = 2.15

SPECspeed2017_fp_peak = Not Run

CPU2017 License: nnn (Your SPEC license number)

Test Sponsor: My Corporation

Tested by: My Corporation

Test Date: Dec-2018

Hardware Availability:

Software Availability:

Platform Notes (Continued)

From lscpu:

```
Architecture:          x86_64
CPU op-mode(s):        32-bit, 64-bit
Byte Order:            Little Endian
CPU(s):                22
On-line CPU(s) list:  0-21
Thread(s) per core:    1
Core(s) per socket:   1
Socket(s):             22
NUMA node(s):         1
Vendor ID:             GenuineIntel
CPU family:            6
Model:                60
Model name:            Intel Core Processor (Haswell, no TSX)
Stepping:              1
CPU MHz:               2399.996
BogoMIPS:              4799.99
Virtualization:       VT-x
Hypervisor vendor:    KVM
Virtualization type:  full
L1d cache:            32K
L1i cache:            32K
L2 cache:              4096K
L3 cache:              16384K
NUMA node0 CPU(s):    0-21
Flags:                 fpu vme de pse tsc msr pae mce cx8 apic sep mtrr pge mca cmov
pat pse36 clflush mmx fxsr sse sse2 ss syscall nx pdpe1gb rdtscp lm constant_tsc
rep_good nopl xtopology cpuid pni pclmulqdq vmx ssse3 fma cx16 pcid sse4_1 sse4_2
x2apic movbe popcnt tsc_deadline_timer aes xsave avx f16c rdrand hypervisor lahf_lm
abm invpcid_single pti tpr_shadow vnmi flexpriority ept vpid fsgsbase tsc_adjust
bmi1 avx2 smep bmi2 erms invpcid xsaveopt arat
```

```
/proc/cpuinfo cache data
cache size : 16384 KB
```

```
From numactl --hardware WARNING: a numactl 'node' might or might not correspond to a
physical chip.
```

```
From /proc/meminfo
MemTotal:          103126208 kB
HugePages_Total:    0
Hugepagesize:      2048 kB
```

```
/usr/bin/lsb_release -d
Linux Mint 19 Tara
```

```
From /etc/*release* /etc/*version*
```

(Continued on next page)

SPEC CPU2017 Floating Point Speed Result

Copyright 2017-2018 Standard Performance Evaluation Corporation

My Corporation

SPECspeed2017_fp_base = 2.15

SPECspeed2017_fp_peak = Not Run

CPU2017 License: nnn (Your SPEC license number)

Test Sponsor: My Corporation

Tested by: My Corporation

Test Date: Dec-2018

Hardware Availability:

Software Availability:

Platform Notes (Continued)

debian_version: buster/sid

os-release:

NAME="Linux Mint"

VERSION="19 (Tara)"

ID=linuxmint

ID_LIKE=ubuntu

PRETTY_NAME="Linux Mint 19"

VERSION_ID="19"

HOME_URL="https://www.linuxmint.com/"

SUPPORT_URL="https://forums.ubuntu.com/"

uname -a:

Linux zet-build2 4.15.0-20-generic #21-Ubuntu SMP Tue Apr 24 06:16:15 UTC 2018 x86_64
x86_64 x86_64 GNU/Linux

run-level 5 Dec 11 02:27

SPEC is set to: /home/zet/code/cpu2017

Filesystem	Type	Size	Used	Avail	Use%	Mounted on
/dev/sdal	ext4	196G	35G	152G	19%	/

Additional information from dmidecode follows. WARNING: Use caution when you interpret this section. The 'dmidecode' program reads system data which is "intended to allow hardware to be accurately determined", but the intent may not be met, as there are frequent changes to hardware, firmware, and the "DMTF SMBIOS" standard.

(End of data from sysinfo program)

Compiler Version Notes

CC 619.lbm_s(base)

Using built-in specs.

COLLECT_GCC=/usr/bin/gcc

COLLECT_LTO_WRAPPER=/usr/lib/gcc/x86_64-linux-gnu/4.8/lto-wrapper

Target: x86_64-linux-gnu

Configured with: ../src/configure -v --with-pkgversion='Ubuntu

4.8.5-4ubuntu8' --with-bugurl=file:///usr/share/doc/gcc-4.8/README.Bugs

--enable-languages=c,c++,go,d,fortran,objc,obj-c++ --prefix=/usr

--program-suffix=-4.8 --enable-shared --enable-linker-build-id

--libexecdir=/usr/lib --without-included-gettext --enable-threads=posix

--with-gxx-include-dir=/usr/include/c++/4.8 --libdir=/usr/lib --enable-nls

--with-sysroot=/ --enable-clocale=gnu --enable-libstdcxx-debug

--enable-libstdcxx-time=yes --enable-gnu-unique-object --disable-libmudflap

--enable-plugin --with-system-zlib --enable-objc-gc --enable-multiarch

(Continued on next page)

SPEC CPU2017 Floating Point Speed Result

Copyright 2017-2018 Standard Performance Evaluation Corporation

My Corporation

SPECspeed2017_fp_base = 2.15

SPECspeed2017_fp_peak = Not Run

CPU2017 License: nnn (Your SPEC license number)

Test Sponsor: My Corporation

Tested by: My Corporation

Test Date: Dec-2018

Hardware Availability:

Software Availability:

Compiler Version Notes (Continued)

```
--disable-werror --with-arch-32=i686 --with-abi=m64
--with-multilib-list=m32,m64,mx32 --with-tune=generic
--enable-checking=release --build=x86_64-linux-gnu --host=x86_64-linux-gnu
--target=x86_64-linux-gnu
Thread model: posix
gcc version 4.8.5 (Ubuntu 4.8.5-4ubuntu8)
-----
```

Base Unknown Flags

619.lbm_s: "-fplugin-arg-rap_plugin-typecheck=callARRAY(0x760e478)"

Base Runtime Environment

C benchmarks:

619.lbm_s: No flags used

Base Compiler Invocation

C benchmarks:

619.lbm_s: gcc

Base Portability Flags

619.lbm_s: -DSPEC_LP64

Base Optimization Flags

C benchmarks:

```
619.lbm_s: -m64 -std=c99 -O2 -march=native
-fplugin=/home/zet/code/pax-rap/src/rap_plugin/rap_plugin.so
-fopenmp -DSPEC_OPENMP
```

SPEC CPU2017 Floating Point Speed Result

Copyright 2017-2018 Standard Performance Evaluation Corporation

My Corporation

SPECspeed2017_fp_base = 2.15

SPECspeed2017_fp_peak = Not Run

CPU2017 License: nnn (Your SPEC license number)

Test Sponsor: My Corporation

Tested by: My Corporation

Test Date: Dec-2018

Hardware Availability:

Software Availability:

Base Other Flags

C benchmarks:

619.lbm_s: No flags used

SPEC is a registered trademark of the Standard Performance Evaluation Corporation. All other brand and product names appearing in this result are trademarks or registered trademarks of their respective holders.

For questions about this result, please contact the tester. For other inquiries, please contact info@spec.org.

Tested with SPEC CPU2017 v1.0.1 on 2018-12-14 05:42:41+0800.

Report generated on 2018-12-14 06:23:47 by CPU2017 PDF formatter v5748.